

All parts, materials, and workmanship comprising the Gatejak are warranted for 5 years from date of purchase against breakage and defects. Our obligation should a breakage occur will be to replace the broken Gatejak or applicable broken parts, with a new one. The replacement Gatejak and/or parts may not be identical to the one being replaced as product designs may change. The outcome will be a fully functional Gatejak.

The only part of the Gatejak excluded from this warranty is the finish. As part of its function the Gatejak has moving parts. Although highly protective and durable, the powder coated and zinc plated finishes on the Gatejak and its parts may show signs of wear because of usage.

To claim the warranty the original customer must contact the dealer from whom the product was purchased or submit proof of purchase and photos of broken parts to GateSupport@Gatejak.com or P.O. Box 348 Hellertown, PA 18055.

Exclusions: Products for which full payment has not been received. This warranty does not cover damage caused by negligence, misuse, or conditions beyond our control, such as extreme weather, floods, lightning etc., war, civil unrest, or government regulations. This warranty does not cover the cost of reinstallation or usage that is not in accordance with product instructions. This warranty is non-transferable and shall be void if the property on which the product was installed is transferred to another party prior to the expiration of the warranty period. Warranty is void if using accessories, parts, or components that were not provided by Gatejak.

Gatejak 5 Year Limited Warranty

GateJak

Ultimate Gate Support

Made in the USA

www.Gatejak.com • 610-838-1133

Installation Instructions and Warranty Information

Thank you for your purchase.



DIRECTIONS FOR INSTALLING YOUR GATEJAK:

Make sure your post is straight up and down before installing the GateJak. If it is not, order a PlumbWedge at www.GateJak.com for a quick solution.

Note: Your GateJak can be mounted on either side of your gate. Just pull the foot pin, remove the cane and flip the elevating bracket around. Then unscrew the elevating cane bolt and thread it through the other perpendicular hole on the cane to allow the handle to fold back against the gate when engaged.

FOR METAL TUBE GATES:

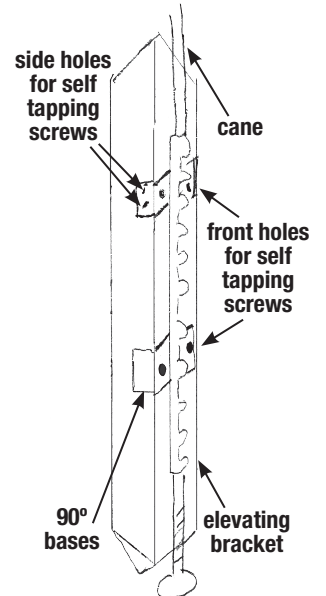
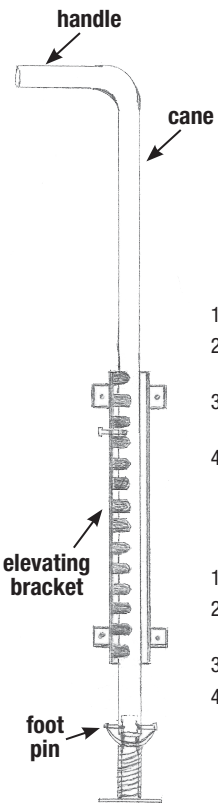
- 1) Find the place along the end of the gate's path where it is closest to the ground
- 2) At that location place a short 1/2 inch – 1 inch board on the ground as a spacer. This will ensure your GateJak has clearance so it does not get hung up when opening and closing your gate
- 3) Set the GateJak on the board with the handle fully elevated and the elevating bracket against the gate. This is the correct height to mount your GateJak to accommodate maximum variations in ground level
- 4) Use the U-bolts, lock washers and nuts to mount the GateJak on your gate

FOR WOOD GATES:

- 1) Use same steps as 1, 2, 3 outlined above for a metal tube gate
- 2) Place the GateJak on the spacer board and hold it against the wooden gate so that the top and bottom of the elevating bracket are the same distance from the end of the gate.
- 3) Make sure no existing hardware is in line with the holes on the bases
- 4) Secure the GateJak with the 4 screws provided

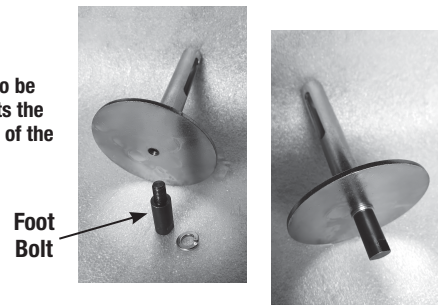
FOR VINYL GATES:

- 1) Use the same steps as 1, 2, 3 outlined above for metal tube gates. In yards with shorter gates often the ground is fairly level. If so the GateJak can be mounted higher if desired as long as the foot reaches the ground so the GateJak may be engaged to provide support.
- 2) Make sure the 90 degree bases on the elevating bracket are pressed firmly against the outside corner of the gate and no existing hardware is in the way.
- 3) Use the 8 self-tapping screws to secure the GateJak



GateJak Foot Bolt Directions:

The GateJak Foot Bolt is sold separately. It is used when the GateJak is going to be supporting a gate on asphalt, concrete or other hard surface and the user wants the GateJak to anchor in a hole to hold it in place. It simply screws into the bottom of the foot. Wrench flats allow for easy tightening. The lock washer holds it in place.



Video instructions are available at: www.GateJak.com

The GateJak comes fully assembled. Mounting hardware is supplied for either a wood, metal tube/chain link or vinyl gate.

WARNING: This product has moving parts. PINCHING CAN OCCUR.

Keep hands at top of the cane (on the handle) when using.

PO Box 348 → Hellertown → PA → 18055